



SERVODRIVE AUGER FILLER

MODEL B-SV-600



For Powders, Granulars, and other Dry Products

All-Fill's Model B-SV-600 Auger Filler uses advanced technology — a brushless DC servo motor drive and field-proven PLC controls — to ensure fast, accurate, and reliable auger filling of dry products.

SERVO RELIABILITY.

All-Fill's coupling of a brushless DC servo motor directly to the auger drive shaft eliminates the need for a clutch/brake, belts, pulleys, and other parts subject to wear, thus reducing maintenance requirements and improving dependability.

EFFICIENT PRODUCT HANDLING.

Users can manage throughput via easy programming of the auger profile. Servo motor technology is ideal for fill-by weight applications that require multiple auger speeds, pauses, and feedback signals from scales or checkweighers.

HIGH CYCLE RATES.

All-Fill's servo motor drive features a rugged design for demanding duty and is available in a variety of torque ratings to match the application. It excels in filling jobs that exceed 100 cycles per minute.

PLC ACCURACY.

TOUCHSCREEN EASE.

Our PLC-based control system computes all relevant parameters (such as RPM acceleration/deceleration) internally, so the operator does not have to make calculations or complex entries. An intuitive touchscreen puts essential functions at the user's fingertips. Test and calibration screens simplify maintenance. Set-ups for products/fill weights are easily stored and recalled.

WORLD CLASS SERVICE AND SUPPORT.

All-Fill uses quality off-the-shelf components so spares are readily available and costs are reduced. All programming is written and supported by in-house engineers.

SPECIFICATIONS

Drive:

- Standard: brushless, low profile, high torque, direct drive servo motor available in 100-165-252 inch/lbs
- Optional: variable speed drive for slow speed agitation

Motion control: self-contained electronics package; servo uses 17 bit high resolution encoder (17 bits = 1/130000 accuracy)

Head unit: long-lasting head casting, machined for true alignment of motor, bearings, agitator, and other components; removable stainless steel cover for easy access

Agitation gearmotor: rugged, 1/2 HP, independent; slow speed product agitation; motor starter; chain drive; stainless steel agitator blade

Hopper:

- 22"/559 mm dia stainless steel, 16 gal/60 liter capacity
- 22"/559 mm dia. stainless steel, dust-proof hopper cover with 6" infeed duct
- Self-aligning hopper coupling with quick disconnect for easy hopper removal (for cleaning or changeover)

Other filler components:

- Mounting column with floor or 10"/254 mm round base
- Auger shaft
- Hopper alignment fixture

Touchscreen control:

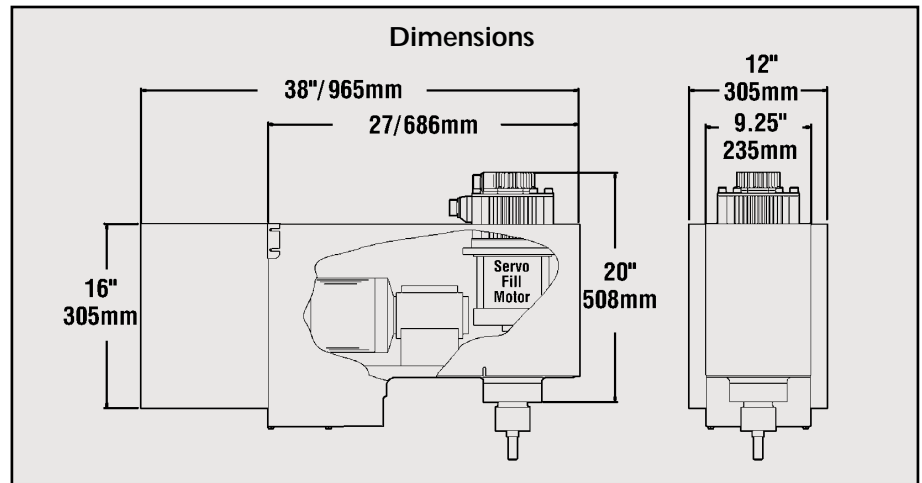
- 25 program selections
- Automatic alarm screens
- Automatic system status messages
- Auger, agitation, and cutoff setting options
- Intuitive maintenance screen — to display and check inputs and outputs

Parameters:

- Adjustable auger speeds from 0-1500 RPM
- Adjustable acceleration/deceleration
- Accepts feedback from checkweighers

Documentation: complete package supplied as standard

Specifications subject to change without notice.



Filling Accessories

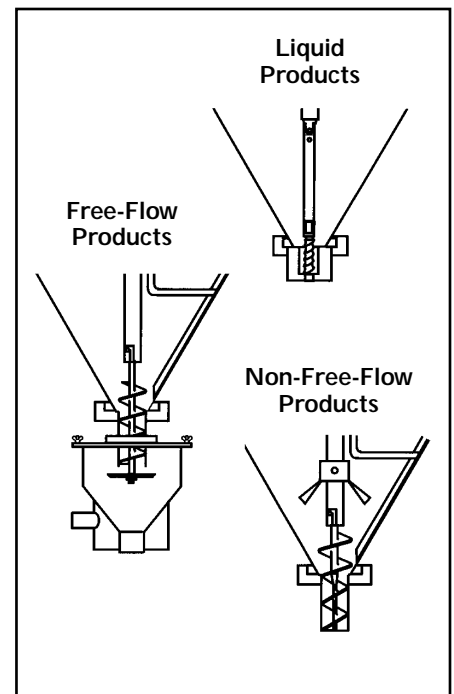
Filling accessories are available in a wide variety of types and sizes to handle nearly any powder, paste, or liquid product. Fill weights from under 1 gram to 50 kg and beyond can be addressed.

Non-free-flow powders (talcum, spices, ground coffee, flour-based products, Ag-chemicals, toner) and free-flow products (salt, drink mixes, detergents, pool chemicals) can all be filled by All-Fill Auger Fillers. Heavy pastes and thin liquids can also be handled.

Interchangeable filling accessories can always be retrofitted to the machine as products and requirements change.

All-Fill maintains a complete test lab for conducting free evaluations.

Servodrive Filling Heads Are Available on Every Type of All-Fill Automatic Filler



All-Fill: For All Your Filling Needs.

All-Fill, Inc. designs, manufactures, services, and supports a complete line of machinery for powder and liquid filling. Complementary equipment includes feeding and conveying of dry products for the food, pharmaceutical, and chemical industries, as well as high-speed checkweighing equipment sold under the Alpha Checkweighers brand.

418 Creamery Way
Exton, PA 19341 USA
1-866-ALL-FILL
Fax: (610) 524-7346
www.all-fill.com

